

WARNING!

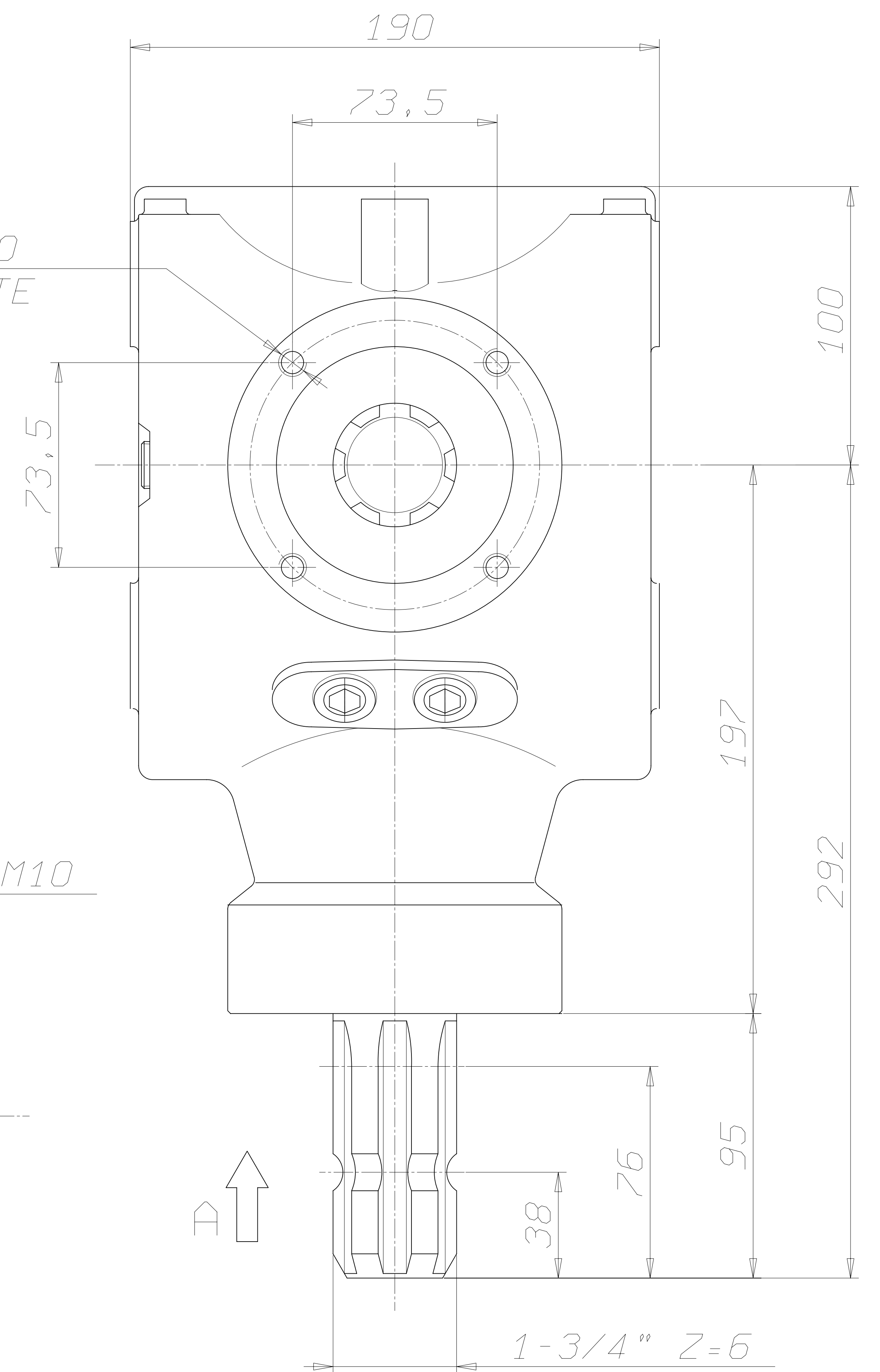
ROTATING SHAFTS MARKED ARE NOT SHIELDED. ANY SHAFT AND COUPLING NOT GUARDED BY LOCATION MUST BE SHIELDED BY AN INTERACTIVE GUARDING SYSTEM. BONDOLI & PAVESI DECLINES RESPONSIBILITY IF PROPER GUARDS ARE NOT PROVIDED AND MAINTAINED.

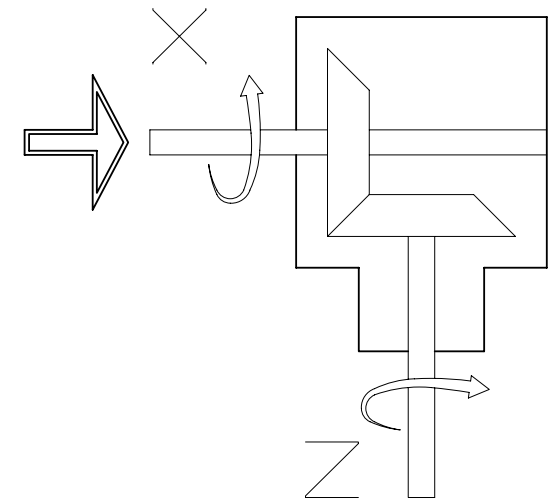
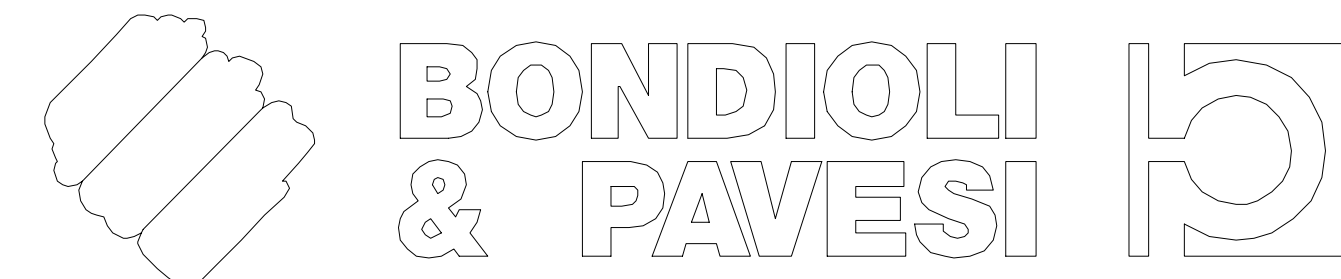
(a)

N° 8 FORI M10
N° 4 PER PARTE

VISTA DA "A"

N° 4 FORI M10



MONTAGGIO GEAR ARRANGEMENTS ART DER MONTAGE MONTAGE 	PESO WEIGHT GEWICHT POIDS	TIPO TYPE TIP 2100	CLIENTE CLIENT CUSTOMER KUNDE	DATA : 28/6/02	VISTO : F. Vezzani	
	RAPPORTO RATIO ÜBERS.-VERH. RAPPORT 1:1			SOSTITUISCE REPLACE REPLACES ERSETZT		
	GIRI IN ENTRATA INPUT SPEED EINGANGSDREHZAHL TOURS EN ENTREE 540			TIPO DI MACCHINA TYPE DE MACHINE TYPE OF IMPLEMENT MASCHINENTYPE		
	POTENZA IN ENTRATA INPUT POWER EINGANGSLEISTUNG PUISSANCE EN ENTREE 110 CV 81 KW	a CREATO MINIDIS. AGGIORNATO 28/06/02 VEZZANI MODIFICHE - MODIFICATIONS - ANDERUNGEN - MODIFICACIONES		RIF. CLIENTE REF. CLIENT CUSTOMER REF. BEZUG KUNDE	MINIDISEGNO SCATOLA Codice : S2100100R220 /a	